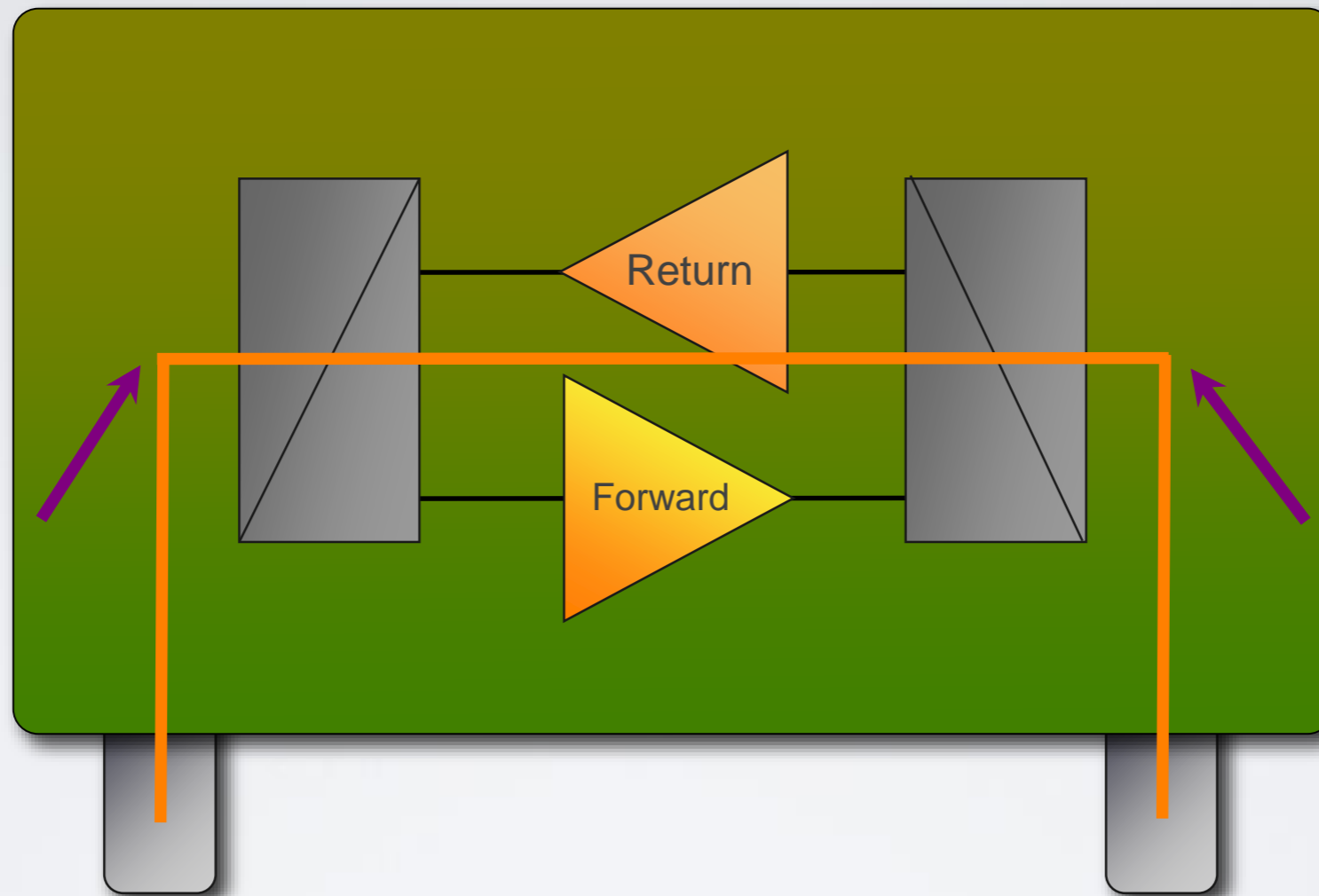


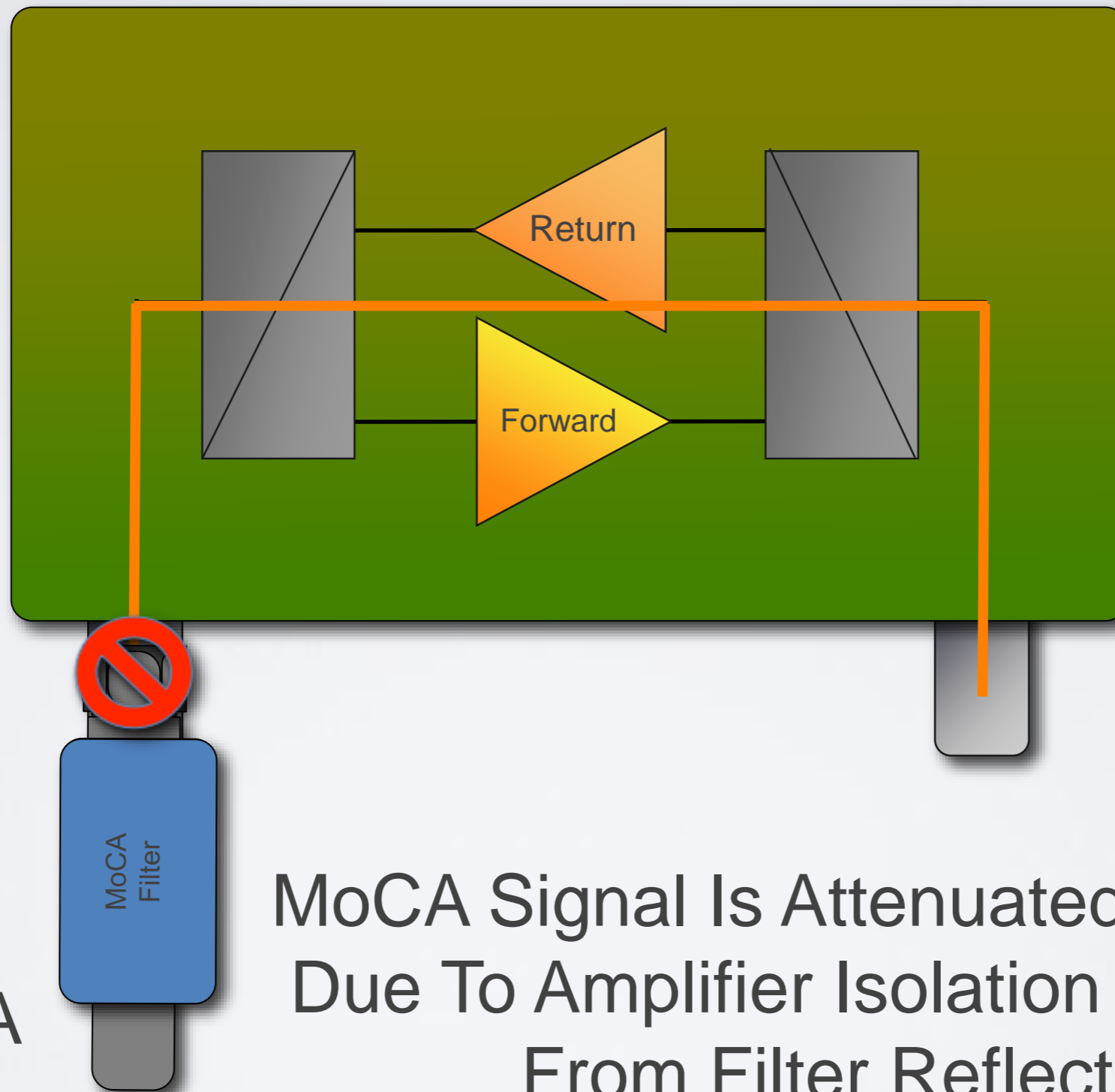
# Traditional Amplifiers



Some  
Systems Use  
Amp To Block  
MoCA Signal

MoCA Signal Would Need  
To Overcome  
Isolation Of Amplifier

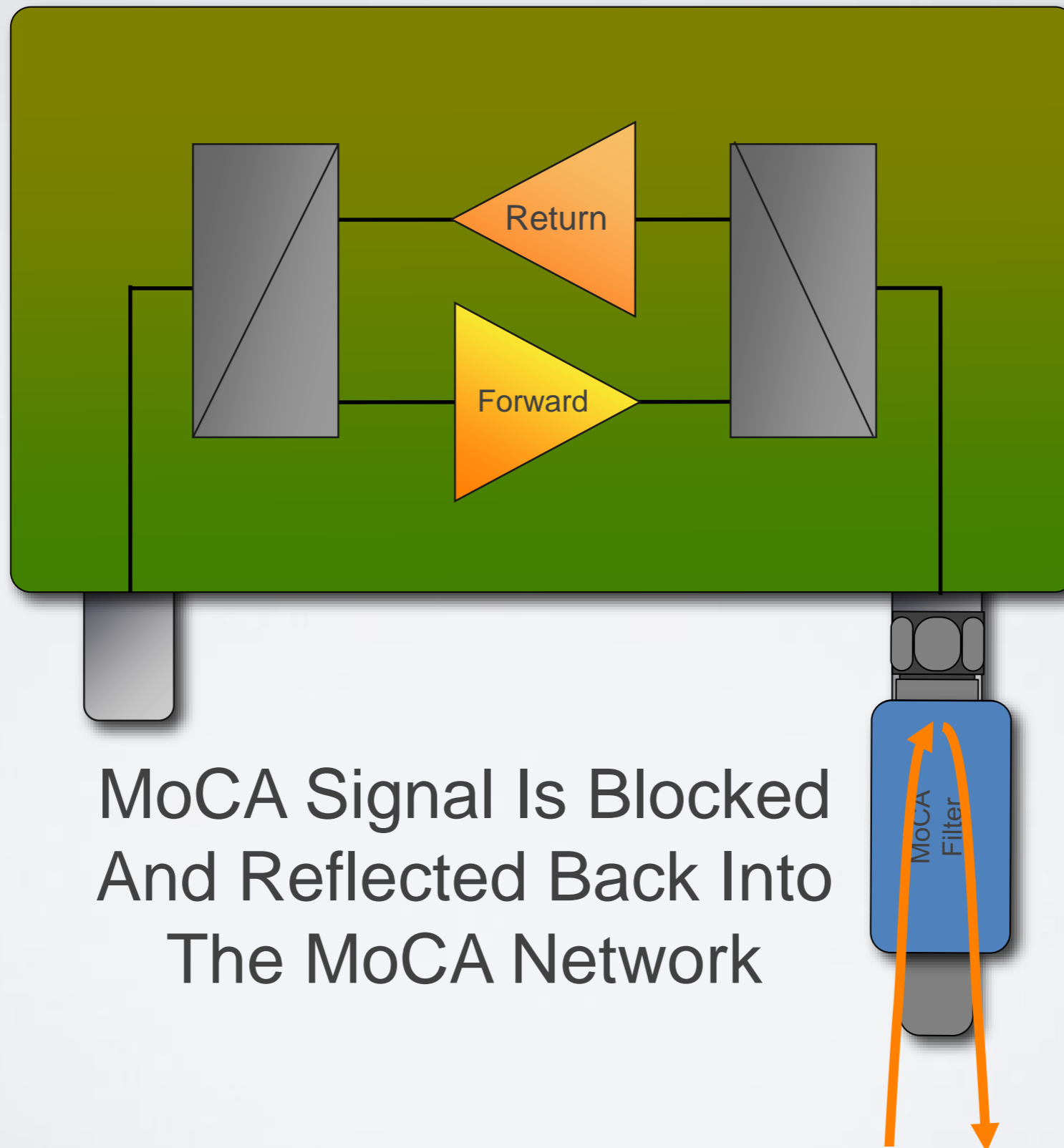
# MoCA<sup>®</sup> Filter On Input



Adds  
Additional  
Attenuation  
To The MoCA  
Signal

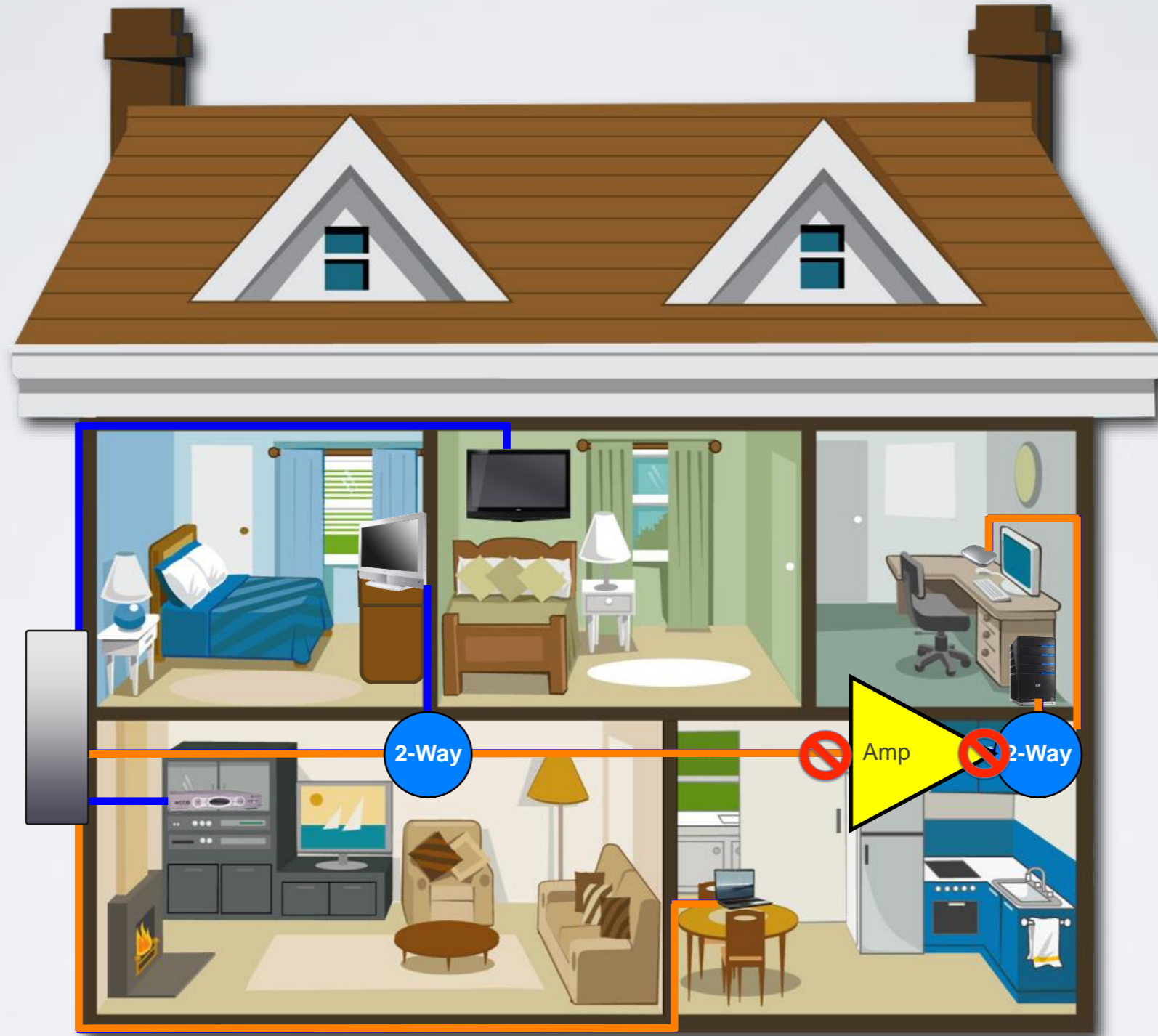
MoCA Signal Is Attenuated Too Much  
Due To Amplifier Isolation To Benefit  
From Filter Reflection

# MoCA<sup>®</sup> Filter On Amp Output



MoCA Signal Is Blocked  
And Reflected Back Into  
The MoCA Network

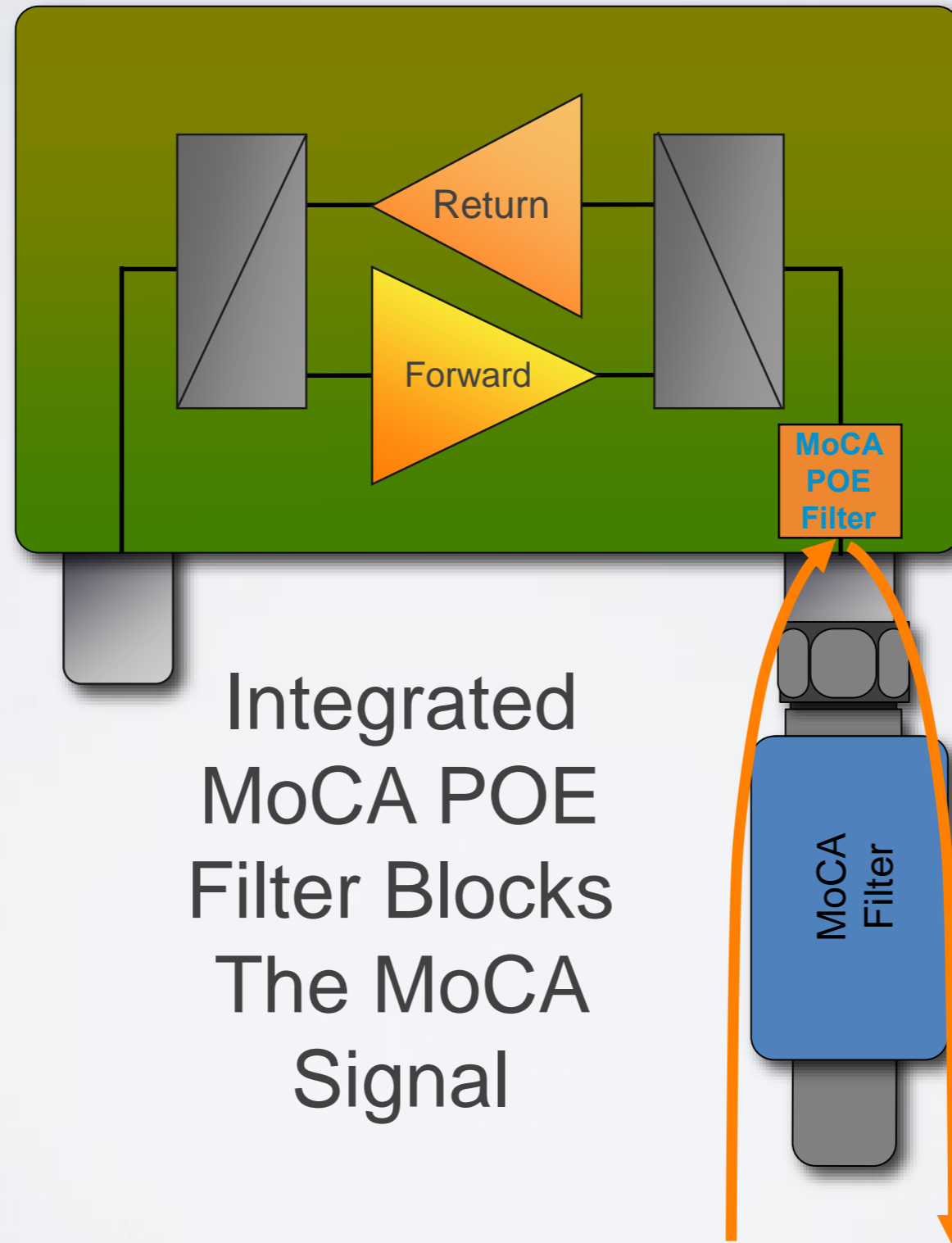
# Traditional Amplifiers



# Traditional Amplifiers



# POE MoCA<sup>®</sup> Amplifiers

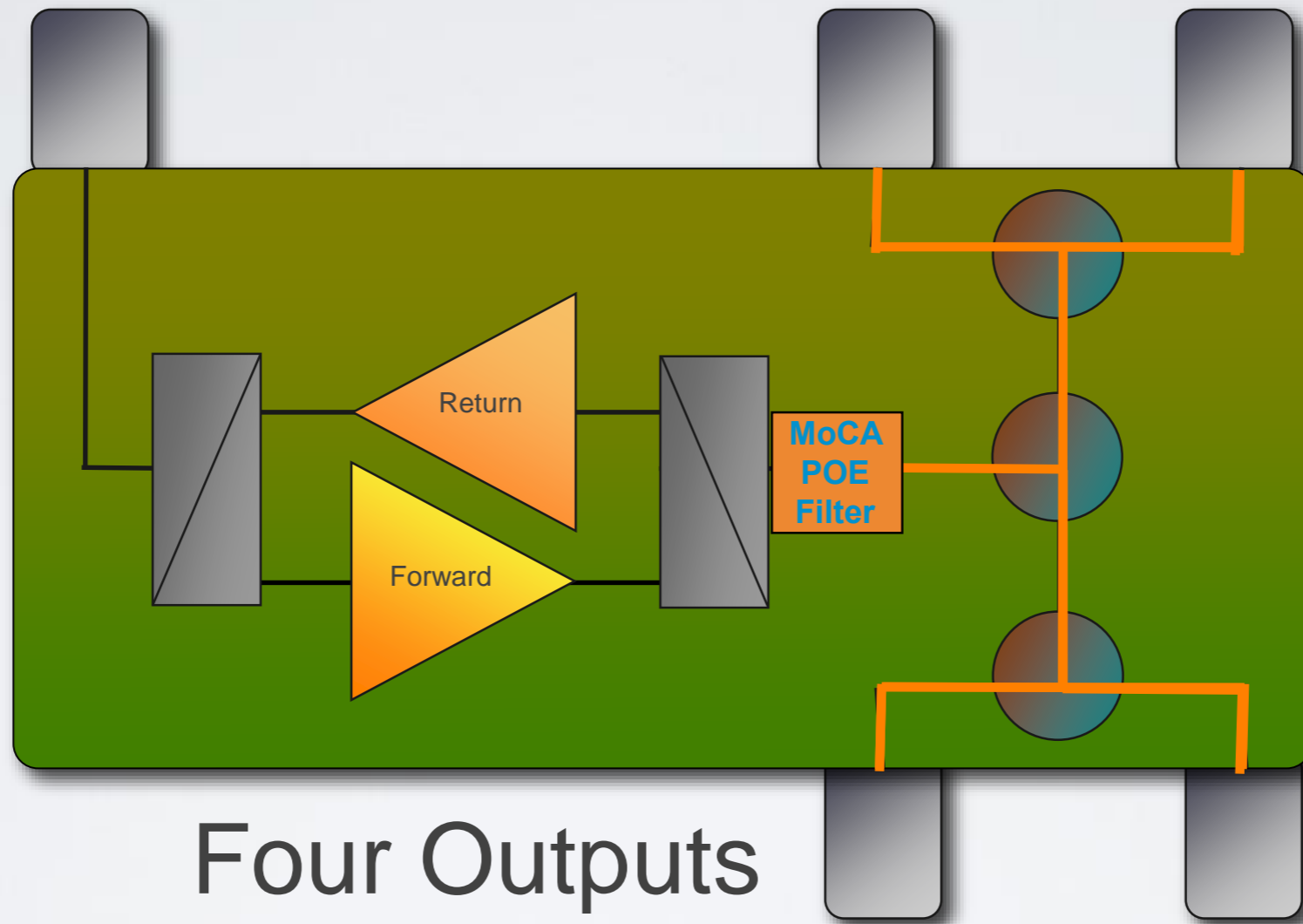


Integrated  
MoCA POE  
Filter Blocks  
The MoCA  
Signal

# POE MoCA<sup>®</sup> Amplifiers

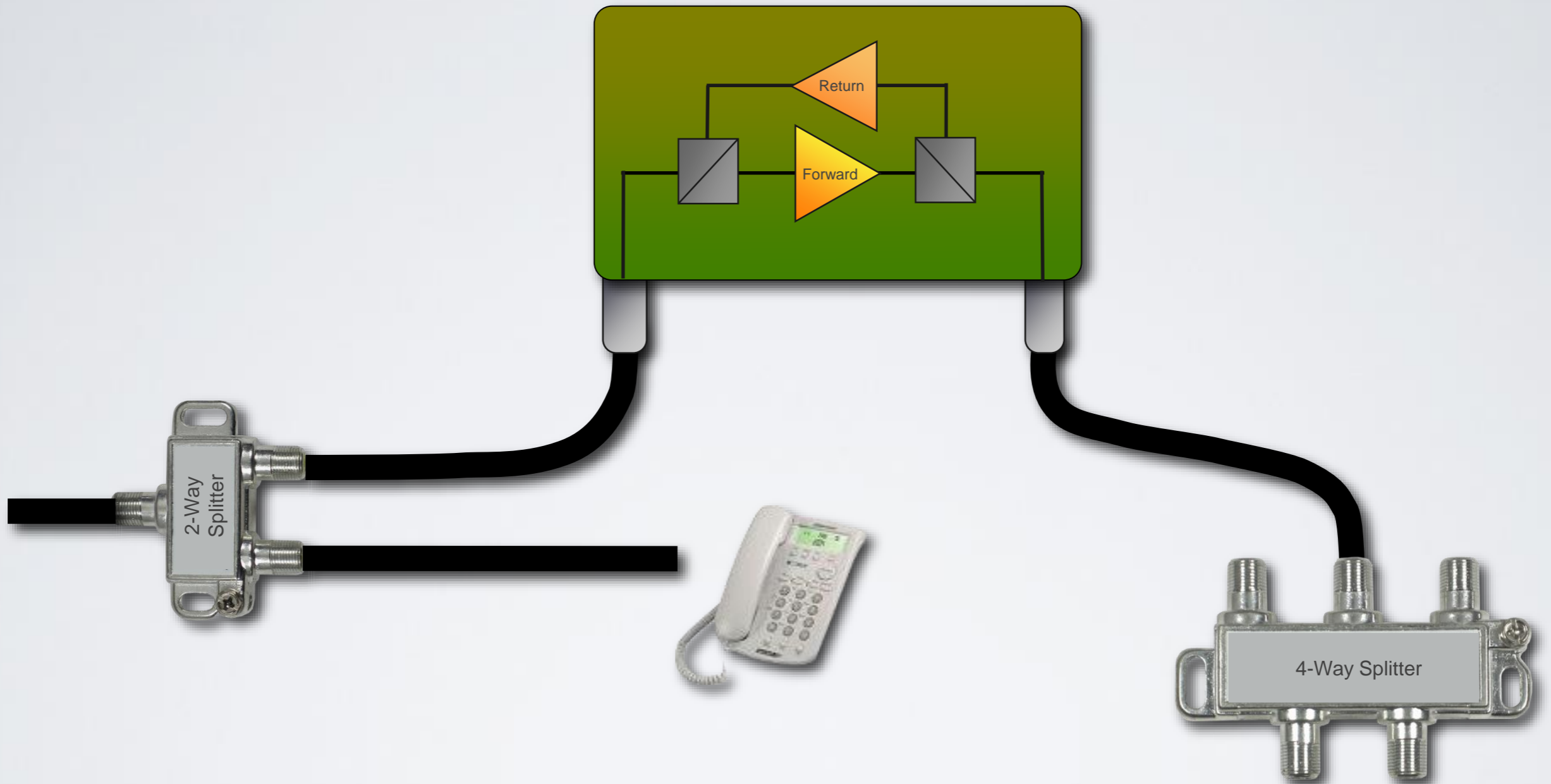


# POE MoCA<sup>®</sup> Amplifiers

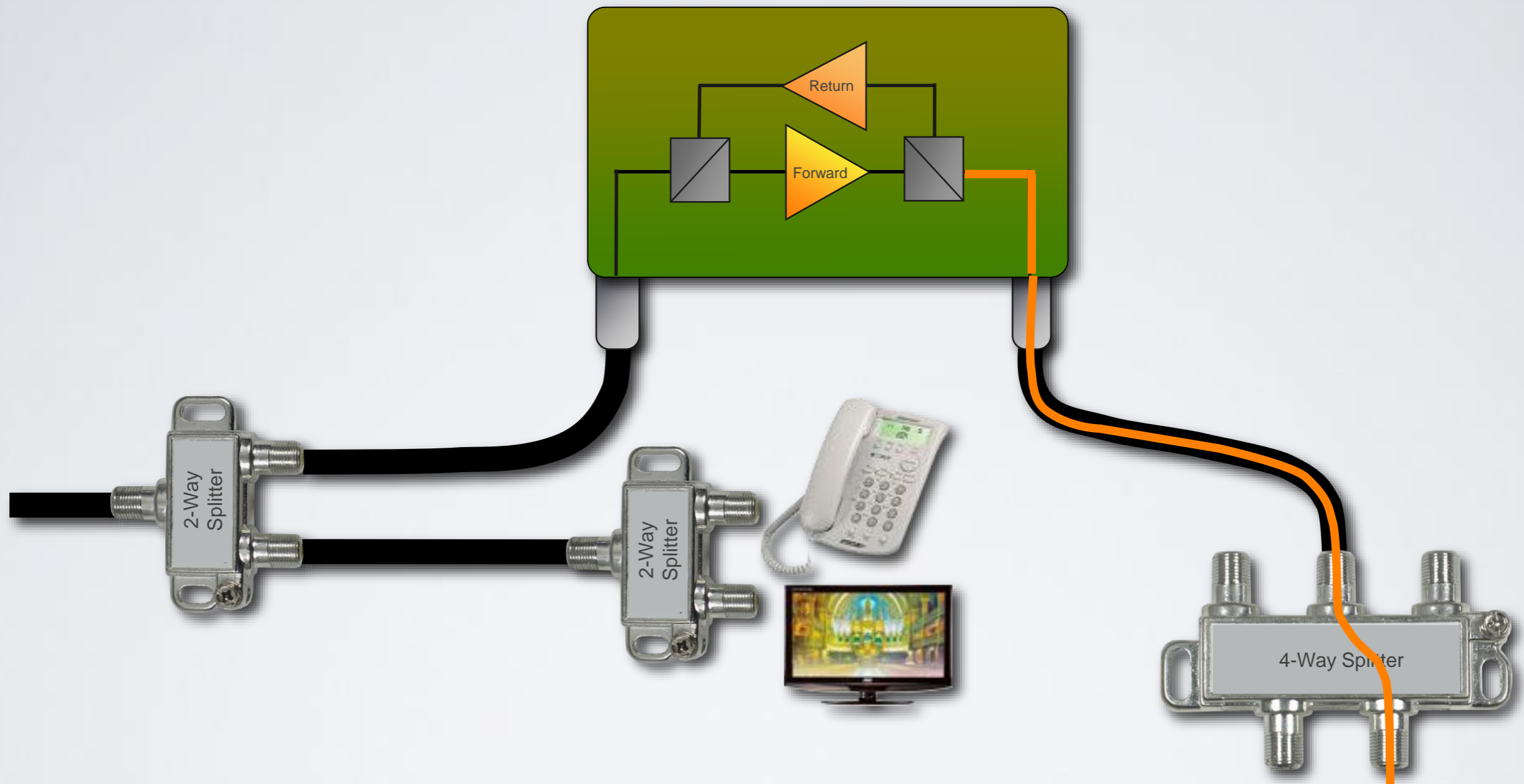




# MoCA<sup>®</sup> Amplifier Data Splitter

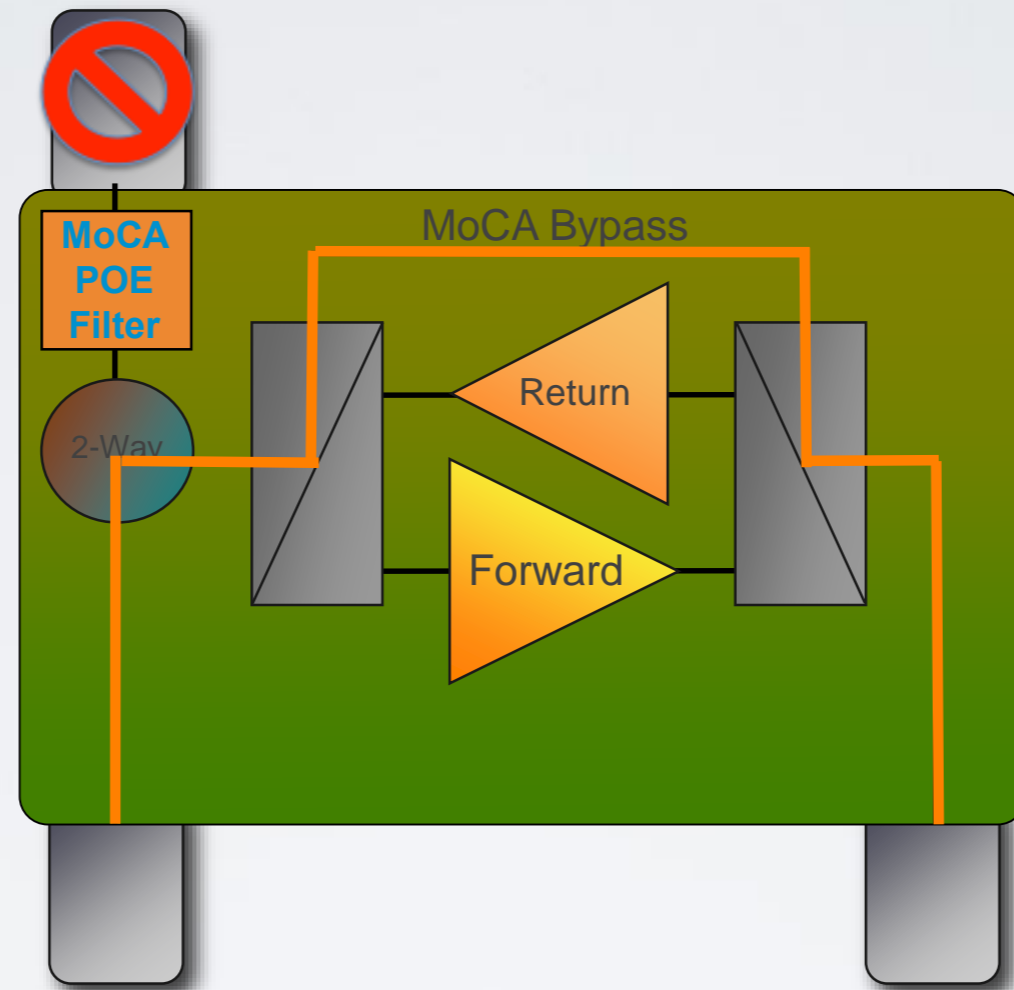


# MoCA<sup>®</sup> Amplifier Data Splitter



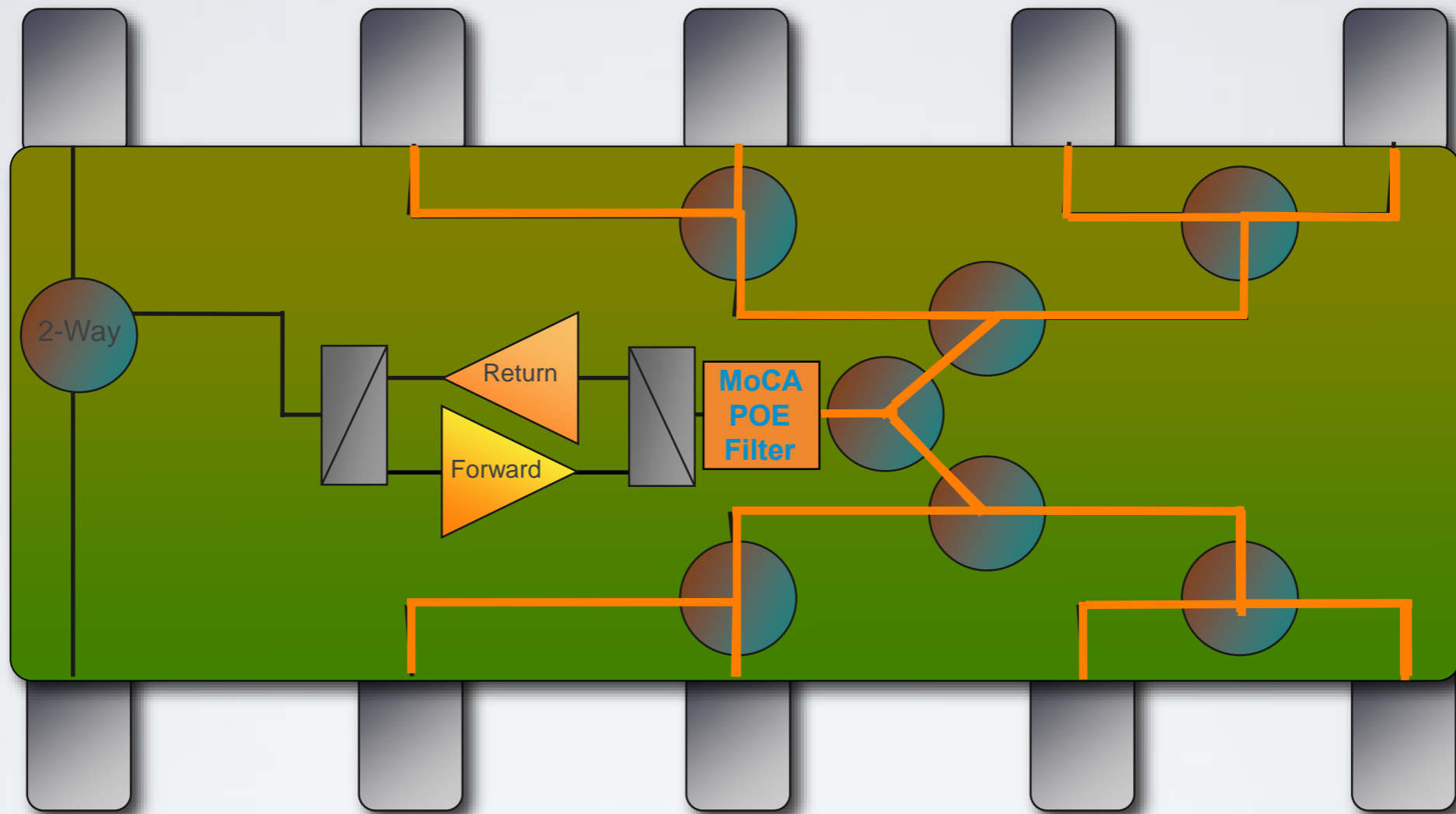
MoCA Signal Cannot Reach Data Splitter Due to Isolation Of The Amplifier

# POE MoCA<sup>®</sup> Amplifiers



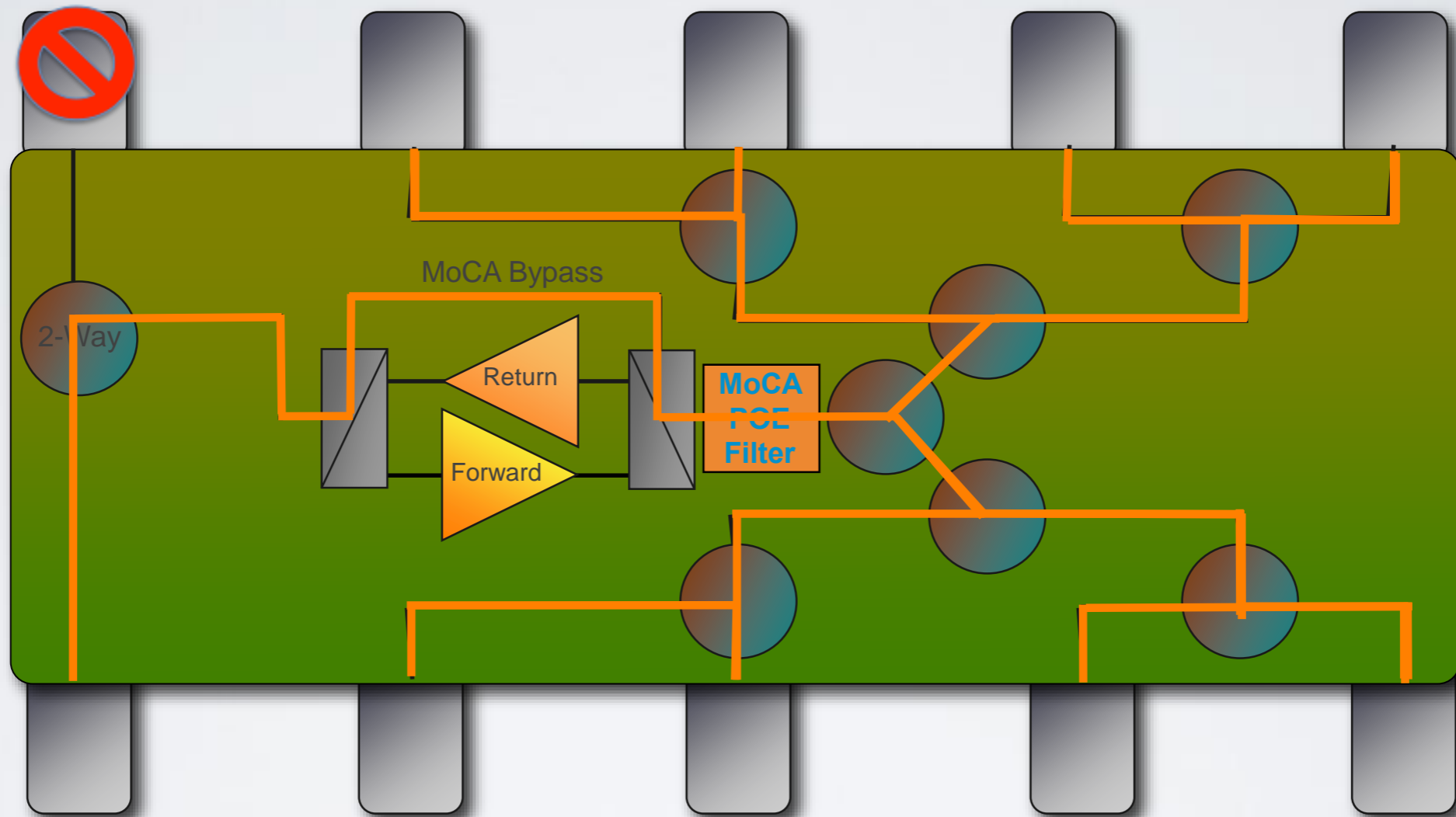
One Output Plus  
Passive Data Port

# POE MoCA<sup>®</sup> Amplifiers



Eight Outputs Plus  
Passive Data Port

# POE MoCA<sup>®</sup> Amplifiers



Eight Outputs Plus  
Passive Data Port